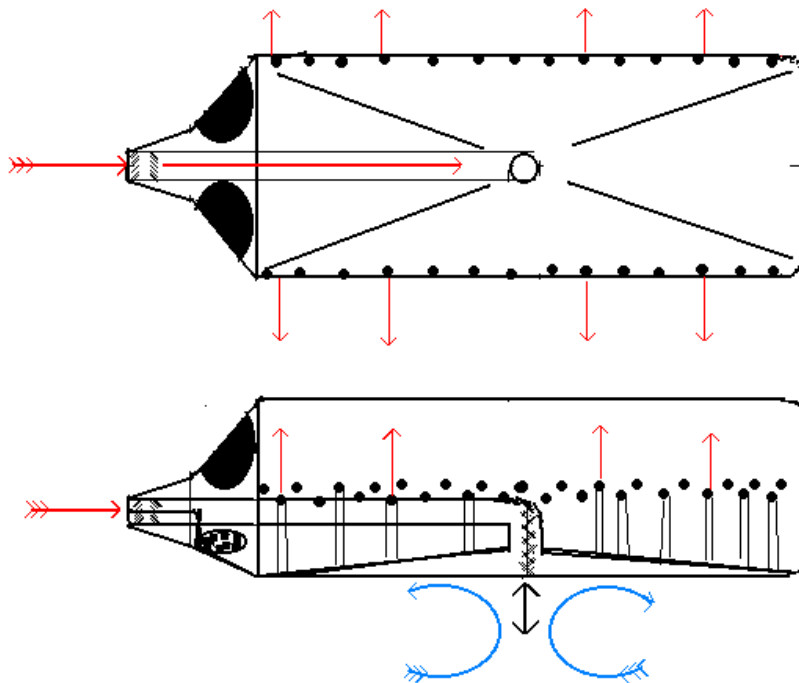


WR. 12-31-D
The Writings of Prof. Bailey
Repulsion Energy,
2004

LETTER 12/31 "The Flute-Implosion Powered Astro Van"
Jjb31.bmp

Pg. 01



kim this is one of my favorites. It is based on the implosion boot.

The machine looks like a flattened tube of tooth paste as it comes at you.

The intake is built into the nose. It can also be placed on the top of the flute.

It is a simple design to fabricate and is the size of an Astro van. The only difference is the word "ASTRO" is not an exaggeration.

The bottom of the flute is a large "JERRY CAN BEND" magnetic implosion compressor.

I call it the flute do to the exhaust holes around the middle that help pull air through the intake turbine.

The intake turbine can be placed on top above the magnetic pole. In this variation the nose cone is used to house a radar.

The design is "SAFE" and very strong.

I design a hatch on the back plate for getting inside.

It makes a noise like a "SWARM OF BEES" when in flight. It displays a darting motion.